



US005733084A

United States Patent (19)
Fullerton

(11) Patent Number: **5,733,084**
(45) Date of Patent: ***Mar. 31, 1998**

[54] **METHOD AND APPARATUS FOR RAPIDLY ENGAGING AND DISENGAGING THREADED COUPLING MEMBERS**

[76] Inventor: **Robert L. Fullerton, P.O. Box 4119, Incline Village, Nev. 89450**

[*] Notice: The term of this patent shall not extend beyond the expiration date of Pat. No. 5,378,100

[21] Appl. No.: **758,261**

[22] Filed: **Nov. 27, 1996**

Related U.S. Application Data

[63] Continuation of Ser. No. 284,135, Aug. 2, 1994, Pat. No. 5,580,200, which is a continuation of Ser. No. 47,199, Apr. 16, 1993, Pat. No. 5,378,100.

[51] Int. Cl.⁶ **F16B 37/08; F16B 39/36**

[52] U.S. Cl. **411/267; 411/270; 411/433; 29/525.02**

[58] Field of Search **411/266, 267, 411/270, 433, 29/525.02, 525.11**

[56] **References Cited**

U.S. PATENT DOCUMENTS

- 2,021,051 11/1935 DeBruere .
- 2,896,486 7/1959 Jansen .
- 3,157,215 11/964 Zahodnik 411/267
- 3,352,341 11/1967 Schertz .
- 3,693,139 10/1972 Howe .

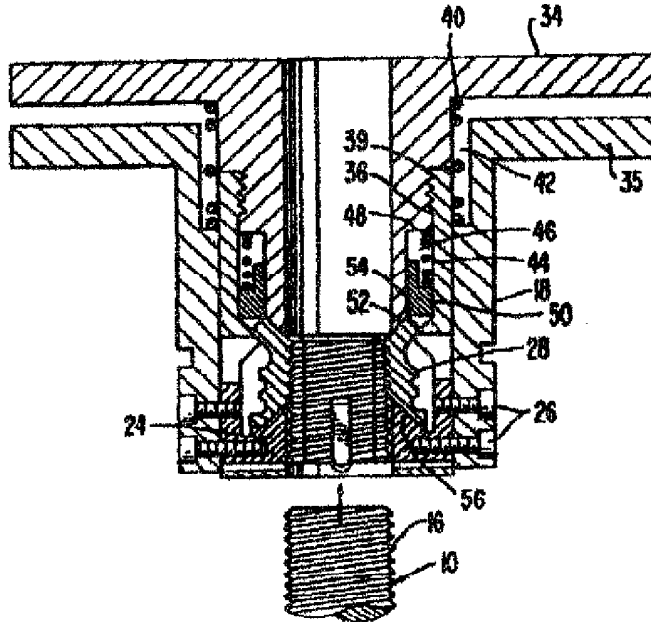
- 3,870,332 3/1975 Eaton .
- 4,083,393 4/1978 Okada .
- 4,172,606 10/1979 Howe .
- 4,378,187 3/1983 Fullerton 411/267
- 4,974,888 12/1990 Childers 411/433 X
- 5,081,811 1/1992 Nankl 411/433 X
- 5,100,275 3/1992 Schirmer .
- 5,118,237 6/1992 Weigh 411/433
- 5,139,381 8/1992 Lubreski et al. .
- 5,324,130 6/1994 Fullerton .
- 5,378,100 1/1995 Fullerton .
- 5,427,488 6/1995 Fullerton et al. 411/267 X
- 5,613,616 3/1997 Cogabug 411/433

Primary Examiner—Neil R. Wilson
Attorney, Agent, or Firm—Staas & Halsey

[57] **ABSTRACT**

A coupling device including a first member provided with external threads and a second member having an opening therein into which the first member is inserted. The second member is provided with a plurality of movably mounted internally threaded elements for receiving the external threads of the first member. A structure is provided whereby the first member may be inserted within the second member by rectilinear sliding movement, after which the first member is rotated into tight engagement with the second member. Release of the first member is accomplished by rotating the first member very slightly in the opposite direction, after which simple manual manipulation of the second member withdraws the threaded elements from engagement permitting the first member to be slidably removed from the second member.

16 Claims, 5 Drawing Sheets



0
5
7
3
3
0
8
4